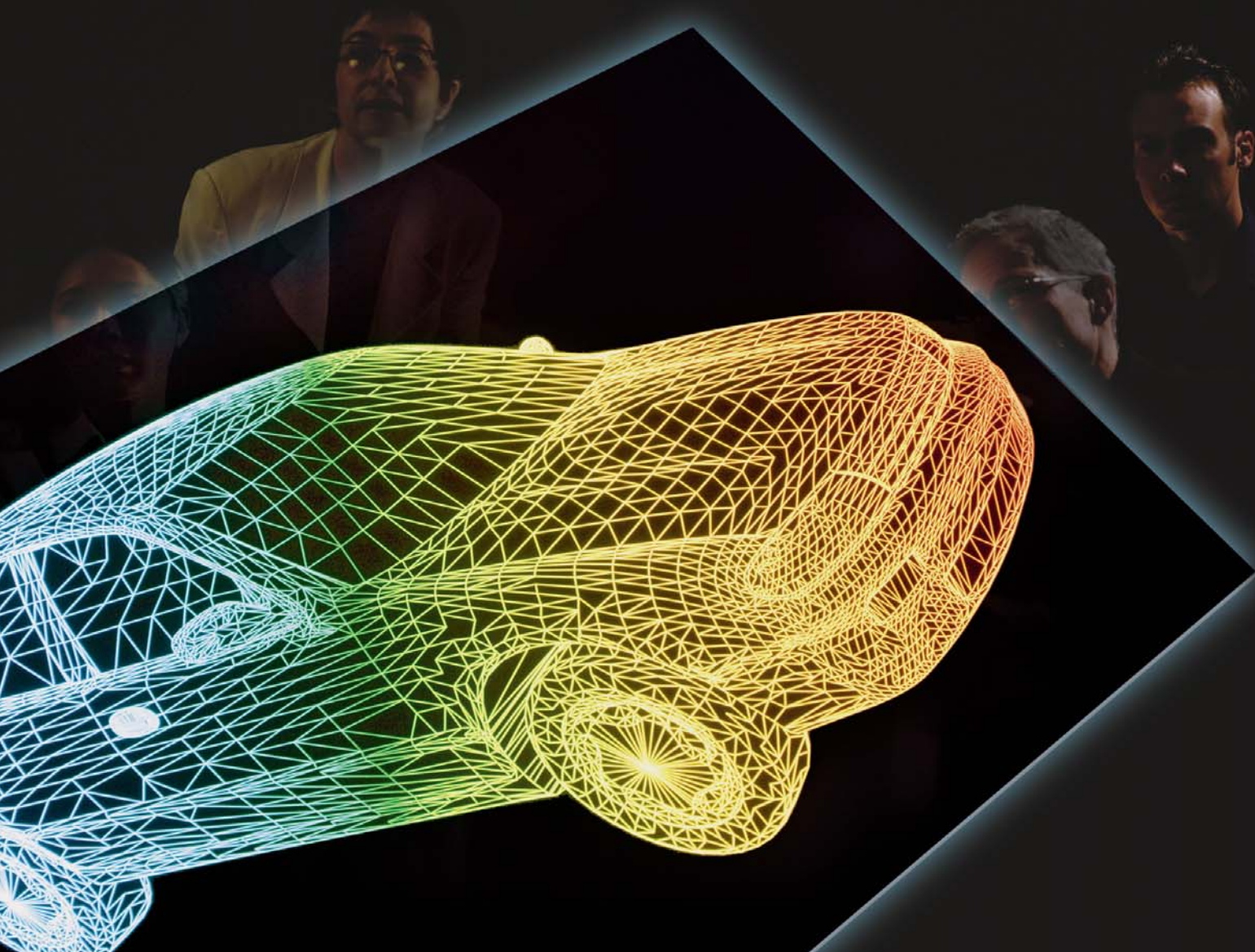


Think GAIA
For Life and the Earth

SANYO

Portable Multimedia Projector

PLC-ET30L



Superior Images, High Reliability,
Easy Maintenance



cinema complex



meeting room



Brightness of 4,200 lumens



High-Resolution SXGA+ Images

SXGA+ (1400 x 1050) panels are used to project highly detailed images, such as design or CAD drawings. The resulting images are crisp, clear, and easy to see.

Realistic image Reproduction with 10-bit Video Signal Processing

Images are powerfully expressed with approximately 1.07 billion colors, thanks to 10-bit (1,024-step gradation) digital processing for each of the red, green and blue signals.

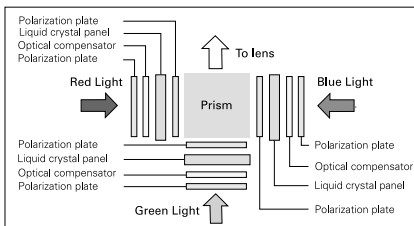
Bright 4200 Lumens

The PLC-ET30L achieves a bright 4,200 lumens thanks to a number of advanced technologies in its optical engine, a 330W lamp. Approaching the brightness of many large, multi-lamp models, this advanced projector is suited to a wide range of applications in event halls, classrooms, and meeting rooms.



Optical Compensator

An optical compensator that has excellent light and heat resistance is used to achieve a long service life for the optical block and dramatically increase reliability.



Filter Clogging Detection Function

When the filter is clogged, the operator is informed by an LED indicator.



Power Vertical/ Horizontal Lens Shift (Vertical: 0 to 50%, Horizontal: 15% (maximum))

Horizontal shift has been added to the previous vertical shift function. On-site setup is easier, thanks to its intuitive operation.



One-Touch Exchange Air Filter

Filter replacement has been simplified to make maintenance.



Easier Lamp Replacement

Lamp replacement has been simplified to make maintenance.



Interchangeable Lenses (Optional)

The existing XT-series lenses can be used just as they are. Lens removal and attachment are also very easy (no need to remove the cabinet).



Specifications

Model name	PLC-ET30L
LCD Panel system	1.0 inch TFT p-Si x 3
Number of pixels	4,410,000 (1,470,000 (1400 x 1050 dots) x 3)
Projection lamp	330 W
Brightness (typical)	4200 lm (Lamp:High mode)
Contrast ratio	1300 : 1 (Lamp:Auto2 mode)
Uniformity	90 % (corner to center , Lens Shift:center)
Up-Down / Right-Left ratio	U / D / R / L (Power Lens Shift) U / D : Center - +50 % (Max) R / L : -15 % - Center - +15 % (Max)
Projection lens	Optional
Component signals	480i, 480p, 575i, 575p, 720p, 1035i and 1080i
Color systems	PAL / SECAM / NTSC / NTSC4.43 / PAL-M / PAL-N
Video Signal	Composite, S-Video, Component
Video Terminal	RCA Input : Video 5x BNC :Y/ Video-Pb/ Cb-Pr/ Cr *1 Mini DIN 4 pin : S-Video
Computer compatibility*2	UXGA/ WXGA / SXGA+ / SXGA / XGA / SVGA / VGA / MAC
Computer Terminal	D-sub 15pin : Analog RGB (In,Out) 5xBNC : Analog RGB *1 DVI-D : Digital RGB *3
Audio	1 W mono
Other Terminal	Control Port (RS-232C) , USB type B
Digital Keystone	+40 - -40 degrees (Vertical)
Other Feature	Freeze, No Show, User logo, PIN code lock, PJ-NET Organizer Plus 2 / 2C (optional)
Scanning frequency	H sync :15 - 100 kHz , V sync : 50 - 100 Hz Dot clock : Analog/ 165 MHz or less, Digital/ 130 MHz or less
Fan Noise	35 dBA (Eco mode)
Voltage	100 V - 240 V AC (auto voltage), 50/60 Hz
Power consumption	500 W
Dimensions (W x H x D)	348,1 x 164,0 x 444,0 mm
Weight	8,1 kg

*1 Use both as Computer and Video input
*2 Supported with digital reduction/ enlargement without SXGA+
*3 HDCP support/Projector may not display video from DVI input if the HDCP standard is changed)
Product appearance and specifications are subject to change without notice. All brands, company names, and product names are trademarks or registered trademarks of their respective holder.

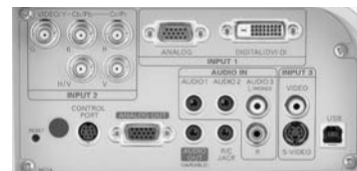
Ceiling mounting(Optional)

- Low ceiling metal fitting POA-CHS-PS01
- Bracket assembly POA-CHB-XT25
- High ceiling metal fitting POA-CHL-PL01
- Low ceiling metal fitting POA-CHS-101

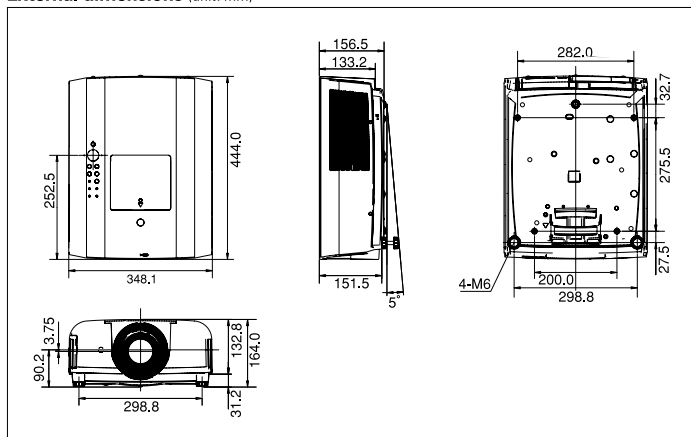
Other Features

- Maintenance Lid on the Top
- One Way Cooling Mechanism (Intake x 1, Exhaust x 1)
- Interchangeable Lenses (Optional)
- PJ-net Organizer Plus2/ 2C (Optional)
- 360-Degree Tilt Angle
- One-touch Lens replacement

Terminals



External dimensions (unit: mm)



All products manufactured by the Projector Integrated Business Unit of SANYO's DI Company employ a quality management system that has undergone the inspection and registration process of the ISO 9001:2000 international standard.



SANYO's DI Company has received ISO 14001 certification for the environmental management system used in its factory.



Pixelworks ICs are used in this projector

<http://www.sanyo-lcdp.com/english/>

Caution: Please consult the instruction manual to ensure safe and proper operation of the product.

Distributed by:



R & B COMPUTER SYSTEMS LTD.

力衡電腦系統有限公司

2749 3325

www.rnb.com.hk
rnb@rnb.com.hk

14/F., Vogue Centre, 696 Castle Peak Road, Lai Chi Kok, Kln., H.K.
香港九龍荔枝角青山道 696 號時采中心 14 樓 Fax: 23973768

SANYO

SANYO Electric Co., Ltd.
DI company

© 2008 SANYO Printed in Japan 2008.3 SL
SML110