

Think GAIA
For Life and the Earth

SANYO

Ultra Portable Multimedia
Projector

PLC-XW57



The Flexible Presentation Solution



► Light Weight and Compactness

The compact and lightweight body (330.0 (W) x 80.0 (H) x 237.0 (D) mm and 2.9 kg) offers great portability. (not including protruding parts)

► Bright Images Even In a Well-Lit Room

The PLC-XW57 use a 200-watt UHP lamp for outstanding brightness and well-balanced color reproduction. The PLC-XW57 series provide 2,000 lumens brightness.

► High-Quality UXGA/WXGA Compressed Projection with DRIT

Digital Realized Interpolation Technology (DRIT) for supporting input signals with resolutions from UXGA to VGA by compressing/decompressing signals.

► Two D-sub Terminals

The PLC-XW57 have one D-sub input terminals. One of monitor out terminal.



► Power-Off and Go

No need to wait for the projector to cool down. You can disconnect the power cord right after your presentation.

► Wide-Range 1.2x Zoom Lens

This zoom lens lets you project a 100" image (measured diagonally) from as close as 3.5 meters from the screen, to as far away as 4.2 meters. That makes it a lot easier to find suitable places to set the projector up.

► Digital Keystone Correction

To compensate for keystone (trapezoidal) picture distortion, the PLC-XW57 provide vertical keystone correction with a correction range up to ±20 degrees.

Note: On screen image size after correction is smaller than that of original. Correction range varies depending on operation settings such as lens shift ratio, lens zoom magnification and so on.



► Digital Zooms Make Setting Up More Flexible

The PLC-XW57 feature a 1/2x to 16x digital zoom that lets you easily enlarge or reduce the screen display size as desired.

► Fan Control System Reduces Unwanted Noise

The intelligent Fan Operation Linear Control System reduces cooling fan noise according to changes in temperature.

► 3D AUCC for High-Resolution Images

The 3D Automatic Uniformity Correction Control (AUCC) circuit ensures a uniform projected image, balancing uneven color and brightness gradations for more natural image displays.

► Security Functions

The PIN code lock function prevents others from operating the projector without inputting the correct PIN code. The key lock function, which is set from the operation menu, locks the operation of the top control and remote control buttons.

► Blackboard (Green color) Mode

This mode lets you use a blackboard as a projection screen*. It adjusts the colors to make images look similar to those projection to an ordinary white screen.

* For blackboard of green color only.

► Countdown/Immediate Projection Selectable

You can select either mode at start-up. Countdown mode ensures that the lamp has reached sufficient brightness before projecting the image. Immediate mode lets you project the image as soon as the power is turned on, even if the optimum level of brightness has not been reached.

► Other Features

- Freeze function • Customizable start-up logo • User logo function • No show function • Presentation timer • Multilanguage menu display (16 languages)

<http://www.sanyo-lcdp.com/english/>

Caution: Please consult the instruction manual to ensure safe and proper operation of the product.

Distributed by:

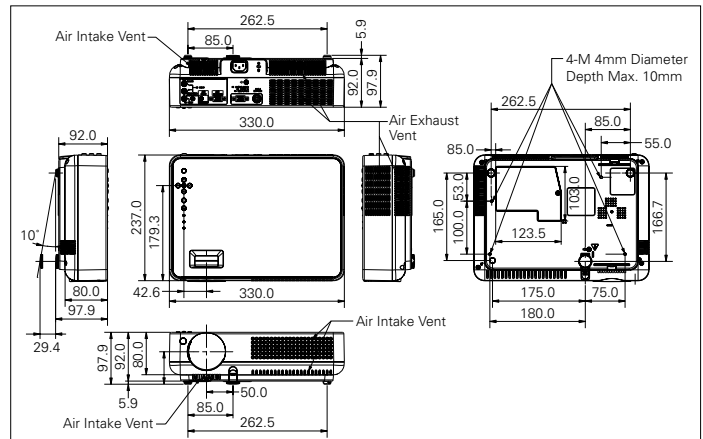
Specifications

Model name	PLC-XW57
Panels	0.6-inch TFT p-Si x 3 with Micro Lens
No. of pixels	2,359,296 (1024 x 768 dots)
Projection lamp	200 W
Brightness (typical)	2000 lm
Uniformity	85 % (corner to center)
Projection lens	F1.6 - 1.76, f= 22.3 - 26.8 mm
Screen size	40" - 300" 1.4 - 12.7 m (100" at 3.5 - 4.2 m)
Zoom / Focus	1.2 manual driven, U:D= 6:1
HDTV signals	480i, 480p, 575i, 575p, 720p, 1035i, and 1080i
Color systems	PAL / SECAM / NTSC / NTSC4.43 / PAL-M/N
Video signal	RCA x 1; Composite, D-sub 15pin for Component and S-video input
Video terminals	RCA: Composite video, D-sub 15pin: Component video and S-video input*
Computer compatibility	UXGA / WXGA / SXGA / XGA / SVGA / VGA / MAC analog
Computer terminals	D-sub 15pin for Input, D-Sub15pin for Input or Monitor out
Audio	RCA (L/R) for video input Mini-Jack (stereo) for computer input Mini-Jack (stereo) for output (variable)
Communication terminals	Service Port (RS-232C)
Presentation tools	Freeze / Digital Zoom / No Show / etc.
Other features	Progressive, 3-2 & 2-2 pull down, User logo
Scanning frequency	H sync: 100 kHz, V sync: 100 Hz, Dot clock: 110 MHz
Sound output	1.0 W Mono
Voltage	100 V - 240 V AC (auto voltage)
Dimensions (W x H x D)	330.0 x 80.0 x 237.0 mm (not including protruding parts)
Weight	2.9 kg

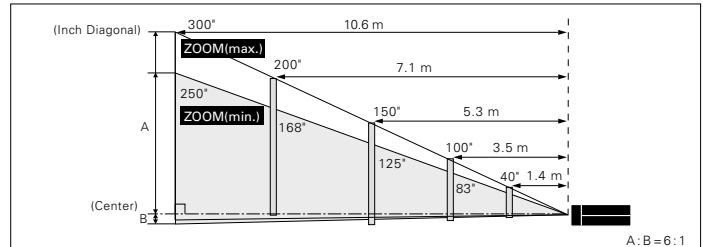
* For use with optional cable POA-CA-COMPVGA

• Design of the product, specifications are subject to change without notice.

External dimensions (unit: mm)



Approximate throw distance/ picture size



Screen Size (W x H) mm	40"	100"	150"	200"	300"
4 : 3 aspect ratio	813 x 610	2032 x 1524	3048 x 2286	4064 x 3048	6095 x 4572
Zoom (min.) Tele	1.7 m	4.2 m	6.4 m	8.5 m	12.7 m
Zoom (max.) Wide	1.4 m	3.5 m	5.3 m	7.1 m	10.6 m

Approximate throw distances shown above were calculated on lens design specifications. Please note that up to 5% deviation may result due to lens variation.



All products manufactured by the Projector Integrated Business Unit of SANYO's DI Company employ a quality management system that has undergone the inspection and registration process of the ISO 9001:2000 international standard.



SANYO's DI Company has received ISO 14001 certification for the environmental management system used in its factory.



Pixelworks ICs are used in this projector

SANYO

SANYO Electric Co., Ltd.
DI Company