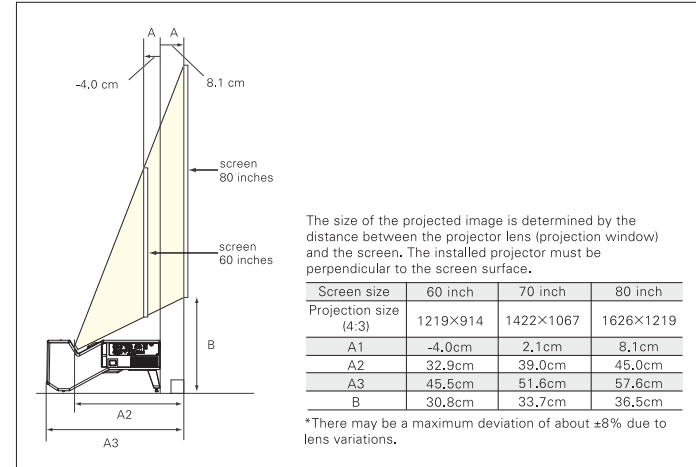


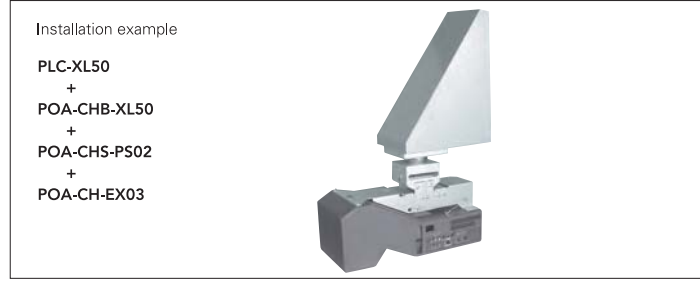
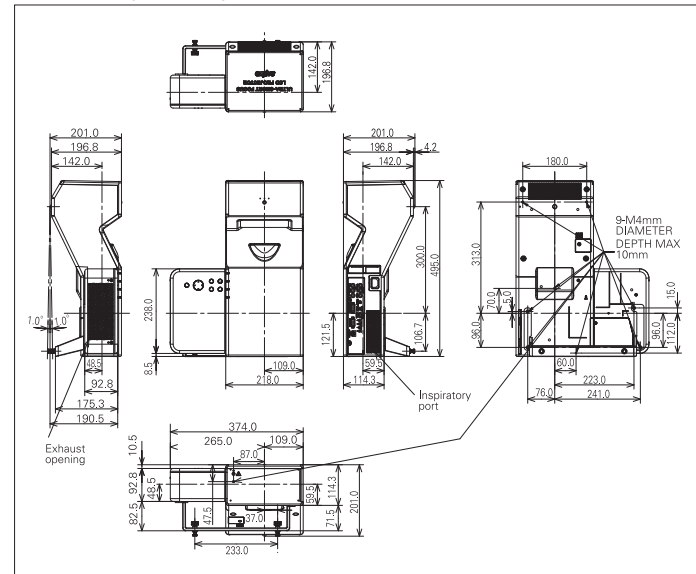
Option



Approximate projection distances and screen sizes



Dimensions (unit: mm)



Specifications

Product Number	PLC-XL50	
System	RGB LCD shutter projection system	
Optical System	Dichroic mirror separation / Prism synthesis system	
Size	0.8" type x 3, aspect ratio 4:3	
Drive System	Polysilicon TFT Active Matrix	
LCD Panel	Pixels	786,432 (1024 x 768) x 3 Total Pixels 2,359,296
	Pixel Array	Stripe
	Light Source	275 W UHP lamp x 1
Screen Size	Minimum 60" - Maximum 80" (Projection distance varies with the mounting position)	
Color Reproducibility	Full color (16.77 million colors)	
Brightness	2,000 lumens	
Speaker	2.0 W Mono	
Scanning Frequency	Horizontal: 15-100 KHz; Vertical: 60-100 Hz Dot clock 140 MHz or less, G on Sync. Compatible	
Displayable Resolution	During RGB Signal Input: 1024 x 768 dots (1920 x 1080 dots resizing display possible)	
Terminals	Computer	D-sub 15 pin for Input D-sub 15 pin for Input or Monitor out
	Video	RCA x 1: Video Mini-DIN 4-pin: S-Video RCA x 3: Y-Pb/Cb-Pr/Cr
	Audio	RCA (L/R) for Video Input Mini-Jack (Stereo) for Computer Input Mini-Jack (Stereo) for output (variable)
	Communication	Mini-DIN 8-pin: Service Port (RS-232C)
Operating Temperature	5 - 35 °C	
Power Source	100V - 240V AC (auto voltage)	
Dimensions (WxHxD)	374.0 x 196.8 x 495.0 mm	
Weight	7.6 kg	
Main Accessories	Operating manual, warranty, removable power cord x 1, wireless remote control x 1 (w/2xAAA batteries), D-sub cable x 1, Pin code label x 1, Alarm label x 1, Stand x 1	

*Specifications as of June 13, 2007, subject to change.
 *All product names and company names are trademarks or registered trademarks of their respective companies

All products manufactured by the Projector Integrated Business Unit of SANYO's DI Company employ a quality management system that has undergone the inspection and registration process of the ISO 9001:2000 international standard.

SANYO's DI Company has received ISO 14001 certification for the environmental management system used in its factory.

<http://www.sanyo-lcdp.com/english/>

Caution: Please consult the instruction manual to ensure safe and proper operation of the product.

Distributed by:

R & B COMPUTER SYSTEMS LTD.
 力衡電腦系統有限公司
 ☎ 2749 3325 www.rnb.com.hk
 ✉ rnb@rnb.com.hk
 14/F., Vogue Centre, 696 Castle Peak Road, Lai Chi Kok, Kln., H.K.
 香港九龍荔枝角青山道 696 號時采中心 14 樓 Fax: 23973768

Pixelworks ICs are used in this projector

SANYO
 SANYO Electric Co., Ltd.
 DI company

© 2008 SANYO Printed in Japan 2008.2 St. SML105

Think GAIA
 For Life and the Earth

Ultra-Short Focus Projector

PLC-XL50

A Large-Screen, Wall-Mounted Projector
 Ultra-Short-Focus Projector
 with the World's Shortest Projection Distance*1



Ultra-Short Focus
 Projector
 PLC-XL50



A Large-Screen, Wall-Mounted Ultra-Short Focus Projector with the World's Shortest Projection Distance*1

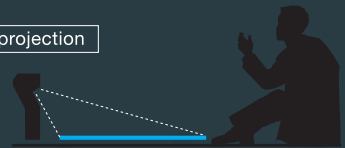
Large images can be projected even with the projector installed on a wall or on the floor. It can be installed in many places where conventional projectors cannot be used, such as on a wall, a tabletop, the floor or the ceiling. This provides a new type of display tool for educational institutions and offices, and serves as digital signage for creating a captivating ambience.

Preschools



By projecting a large image on the floor, children can enjoy a new type of classroom environment in which they can all share in a visual learning experience.

Floor projection

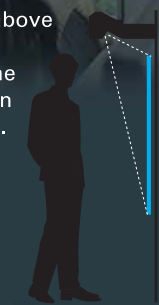


Classrooms



By projecting the image from above the blackboard (or screen), the instructor does not block the projected light, so he or she can lead the lesson more smoothly.

Ceiling-mounted installation for wall projection

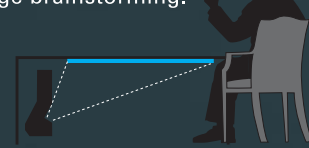


Strategic Planning



The projector can be set up below a table to project an image onto the table as a rear-projection system. This allows participants to examine a design or drawing from various angles to encourage brainstorming.

Under-table installation for rear projection onto the tabletop

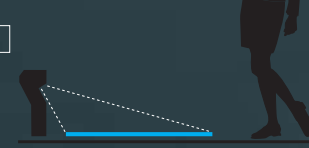


Department Stores



Images can be projected onto an unused space in a retail store, such as a passageway or the floor, to turn it into an active advertising space.

Floor projection



Business Presentations



The wall-mounted projector can be used to give presentations even in small meeting rooms.

Tabletop installation for wall projection



Restaurants



Moving images can be projected to provide information such as "Today's lunch" or a "Special menu" during lunch time.

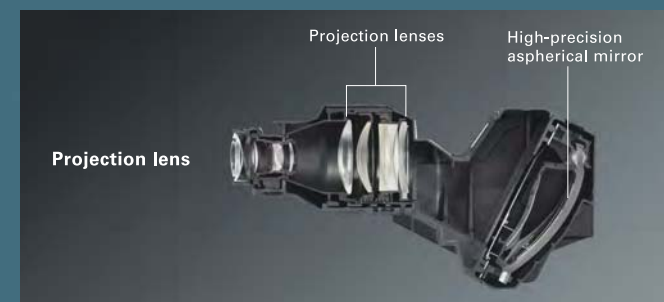
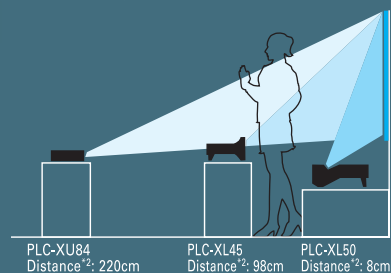
Tabletop installation for rear projection onto a wall



World's Shortest*1 Projection Distance

In order for Sanyo to shorten the projection distance of its projectors, new large diameter aspheric lens and high-precision aspheric mirror technology was developed. Sanyo also developed a new optical engine, enabling an 80 inch projection from the short distance of only 8 cm*2. Through this, large projections from a short distance are possible, and projection is possible even in tight or small meeting rooms, creating a meeting opportunity in any room or space that is available.

Comparison of distances required to project an 80-inch image (measured diagonally)



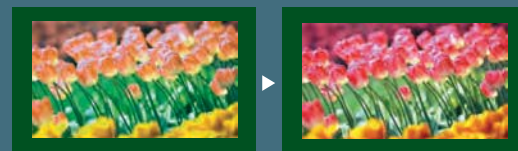
Vibration-Detection Anti-Theft Alarm

An audio alarm lets you install the projector in places where you previously could not.



Blackboard/Color Board Mode

This mode lets you use a blackboard as a projection screen*3. It adjusts the colors to make images look similar to those projection to an ordinary white screen.



World's First*4 Floor-Installed Floor Projection

By making use of the main features of the PLC-XL50's extremely wide angle and the short distance of projection needed, adding to traditional uses of projectors, many new and various types of applications and locations become available.



Other Features

- Zoom Function: The image can be digitally resized to smaller dimensions,*5 and its screen position can also be shifted. In addition, a part of the image can be enlarged and projected.
- Easy Off Function: There is no need to wait for the projector to cool down. You can disconnect the power cord right after your presentation.
- On-Start Function: The power turns on as soon as you connect the power cord. No need to press any buttons on the remote control or projector.
- Vertical keystone correction

PLC-XL50 XGA 2000 lumens



*1: As of Dec 21, 2007 for front projectors. *2: Distance between projector unit and screen surface. *3: The colors of images projected onto a blackboard or color board may vary from those of the original input signal. *4: As of June 13, 2007 for front projectors. *5: Some picture information may be lost in digital compression.