

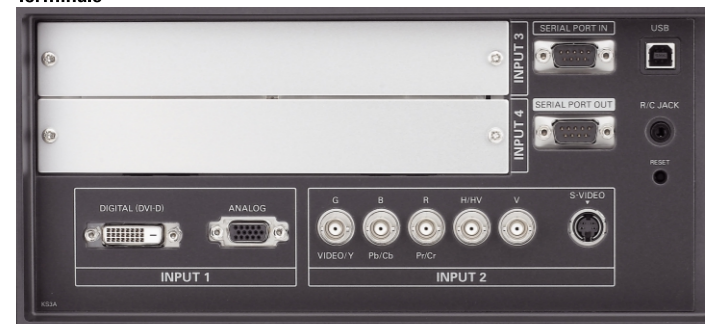
Approximate Projection Distances

Type	On-Axis Wide Fixed Lens	On-Axis Wide Fixed Lens	Wide Zoom Lens	Wide Fixed Lens	Wide Zoom Lens	Wide Zoom Lens	Wide Zoom Lens	Standard Zoom Lens	Standard Zoom Lens	Semi-Long Zoom Lens	Long Zoom Lens	Ultra-Long Zoom Lens	
Part Number	LNS-W07	LNS-W03	LNS-W05	LNS-W01Z	LNS-W06	LNS-W02Z	LNS-W04	LNS-S02Z	LNS-S03	LNS-M01Z	LNS-T02	LNS-T03	
Image													
Zoom/ Focus	Fixed/ Manual	Fixed/ Manual	x1.4/ Motor-Driven	Fixed/ Manual	x1.3/ Motor-Driven	x1.2/ Motor-Driven	x1.3/ Motor-Driven	x1.3/ Motor-Driven	x1.3/ Motor-Driven	x1.2/ Motor-Driven	x1.4/ Motor-Driven	x1.4/ Motor-Driven	
Twin Stack Support*1	No	No	Yes	No	Yes	Yes	Yes	Yes	Yes	Yes	Yes	Yes	
Image Size	30" - 400"	30" - 400"	30" - 400"	30" - 400"	30" - 400"	30" - 400"	30" - 400"	30" - 400"	70" - 400"	30" - 400"	30" - 400"	30" - 400"	
Optical Axis	H1:H2 W1:W2	1:1 (Fixed) 1:1 (Fixed)	10:3 - 3:10 (approx.) 10:3 - 3:10 (approx.)	10:3 - 3:10 (approx.) 10:3 - 3:10 (approx.)	10:3 - 3:10 (approx.) 10:3 - 3:10 (approx.)	10:3 - 3:10 (approx.) 10:3 - 3:10 (approx.)	10:3 - 3:10 (approx.) 10:3 - 3:10 (approx.)	10:3 - 3:10 (approx.) 10:3 - 3:10 (approx.)	10:3 - 3:10 (approx.) 10:3 - 3:10 (approx.)	10:3 - 3:10 (approx.) 10:3 - 3:10 (approx.)	10:3 - 3:10 (approx.) 10:3 - 3:10 (approx.)	10:3 - 3:10 (approx.) 10:3 - 3:10 (approx.)	
Throw Distance*2	40°	0.63	0.92	1.1 - 1.5	1.39	1.4 - 1.8	1.6 - 2.2	1.8 - 2.4	2.3 - 3.1	-	4.2 - 5.4	5.5 - 7.5	7.7 - 11.1
	60°	0.97	1.42	1.7 - 2.4	2.13	2.1 - 2.7	2.5 - 3.3	2.7 - 3.6	3.5 - 4.7	-	6.3 - 8.1	8.1 - 11.2	11.3 - 16.5
	80°	1.31	1.92	2.2 - 3.2	2.87	2.8 - 3.7	3.4 - 4.4	3.7 - 4.9	4.8 - 6.3	6.2 - 8.5	8.3 - 10.8	10.7 - 14.9	15.0 - 21.9
	100°	1.66	2.41	2.8 - 4.0	3.61	3.6 - 4.6	4.2 - 5.5	4.6 - 6.1	6.1 - 7.9	7.8 - 10.6	10.4 - 13.5	13.3 - 18.5	18.6 - 27.2
	150°	2.52	3.65	4.3 - 6.0	5.46	5.4 - 7.0	6.4 - 8.3	7.0 - 9.2	9.2 - 12.0	11.8 - 16.0	15.6 - 20.1	19.8 - 27.7	27.8 - 40.7
	200°	3.38	4.89	5.7 - 8.1	7.3	7.2 - 9.3	8.5 - 11.1	9.4 - 12.4	12.3 - 16.1	15.9 - 21.4	20.7 - 26.8	26.4 - 36.9	36.9 - 54.1
	250°	4.23	6.13	7.2 - 10.1	9.15	9.0 - 11.7	10.7 - 13.9	11.8 - 15.5	15.5 - 20.1	19.9 - 26.8	25.9 - 33.5	32.9 - 46.0	46.1 - 67.6
	300°	5.09	7.37	8.7 - 12.1	10.99	10.8 - 14.0	12.8 - 16.7	14.2 - 18.6	18.6 - 24.2	23.9 - 32.2	31.1 - 40.2	39.5 - 55.2	55.2 - 81.0
Image Size	H1:H2	-	40" - 600"	-	40" - 600"	40" - 600"	40" - 600"	40" - 600"	40" - 600"	100" - 600"	40" - 600"	40" - 600"	40" - 600"
	Optical Axis	H1:H2 W1:W2	1:1 (Fixed) 1:1 (Fixed)	-	8:1 - 1:8 (approx.) 2:3 - 3:2 (approx.)	8:1 - 1:8 (approx.) 1:1 (Fixed)	8:1 - 1:8 (approx.) 2:3 - 3:2 (approx.)	8:1 - 1:8 (approx.) 2:3 - 3:2 (approx.)	8:1 - 1:8 (approx.) 2:3 - 3:2 (approx.)	8:1 - 1:8 (approx.) 2:3 - 3:2 (approx.)	8:1 - 1:8 (approx.) 2:3 - 3:2 (approx.)	8:1 - 1:8 (approx.) 2:3 - 3:2 (approx.)	8:1 - 1:8 (approx.) 2:3 - 3:2 (approx.)
	40°	-	0.60	-	0.91	0.9 - 1.2	1.1 - 1.4	1.1 - 1.6	1.5 - 2.0	-	2.9 - 3.7	3.7 - 5.1	5.3 - 7.6
	60°	-	0.93	-	1.41	1.4 - 1.8	1.6 - 2.2	1.8 - 2.4	2.3 - 3.1	-	4.3 - 5.5	5.5 - 7.6	7.7 - 11.2
	80°	-	1.27	-	1.90	1.9 - 2.4	2.2 - 2.9	2.4 - 3.2	3.2 - 4.2	-	5.6 - 7.3	7.3 - 10.0	10.2 - 14.8
	100°	-	1.60	-	2.40	2.4 - 3.1	2.8 - 3.7	3.1 - 4.1	4.0 - 5.3	5.2 - 7.1	7.0 - 9.1	9.0 - 12.5	12.6 - 18.4
	150°	-	2.43	-	3.64	3.6 - 4.7	4.3 - 5.6	4.7 - 6.2	6.1 - 8.0	7.9 - 10.7	10.5 - 13.6	13.4 - 18.7	18.8 - 27.4
	200°	-	3.27	-	4.88	4.8 - 6.2	5.7 - 7.5	6.3 - 8.3	8.2 - 10.7	10.6 - 14.4	14.0 - 18.1	17.8 - 24.9	24.9 - 36.5
250°	-	4.10	-	6.12	6.0 - 7.8	7.2 - 9.3	7.9 - 10.4	10.3 - 13.5	13.3 - 18.0	17.4 - 22.6	22.2 - 31.0	31.1 - 45.5	
300°	-	4.93	-	7.37	7.3 - 9.4	8.6 - 11.2	9.5 - 12.5	12.4 - 16.2	16.0 - 21.6	20.9 - 27.0	26.6 - 37.2	37.2 - 54.5	

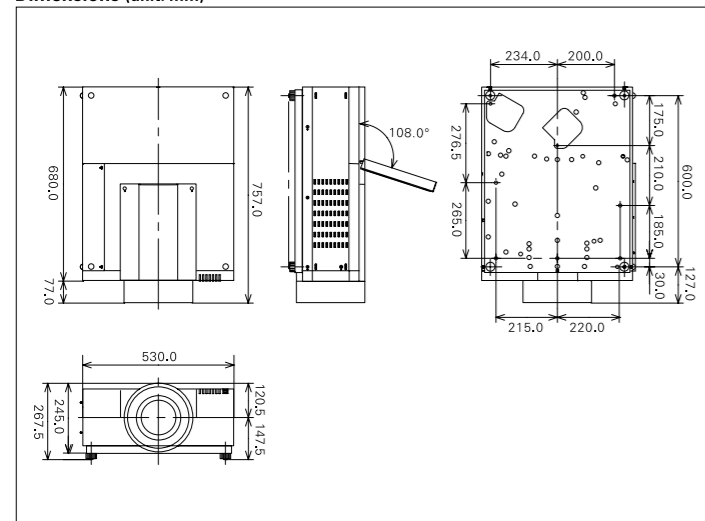
*1: Full lens performance may not be available at some projection distances.

*2: Approximate projection distances are calculated based on lens specifications. Individual lenses may diverge from this figure by up to 5% due to slight variations in lens size and shape.

Terminals



Dimensions (unit: mm)



Specifications

Model	PLV-WF20	PLC-XF70
Type	3-color LCD shutter projection	
Optics	Dichroic mirror separation/prism synthesis	
LCD Size	1.2	1.8
panels	1366 x 800 x 3	1024 x 768 x 3
Projection lens	Lenses sold separately.	
Lamp (output/type)	300W NSHA x 2	
Projection size	Lenses sold separately.	
Color reproduction	Approx. 1,07 billion	
Effective luminous flux (brightness, lm)	6000 (With separately available lens LNS-S03.)	9000 (With separately available lens LNS-S03.)
Uniformity	90 % (corner to center)	
Supported scanning frequencies	H/V sync -120kHz, -120Hz Dot clock 230 MHz	
Supported RGB resolutions	UXGA/ SXGA+/ SXGA/WXGA/ XGA/ SVGA/ MAC	
Signal input terminal	inputs1: DVI-D (HDCP) / RGB (D-Sub 15 pin) inputs2: RGBHV/ Y/ VIDEO, Pb/ Cb, Pr/ Cr (BNC x 5) S-Video (Mini-DIN4) inputs3: For option board inputs4: For option board	
Other IO	Wired remote control (minijack)	
Operating temperature	5 - 40 °C	
Power supply	100 - 120V / 200 - 240V AC	
Power consumption	950 W	
Dimensions (W x H x D)	530.0 x 267.5 x 757.0 mm	
Weight	27.6 kg	
Accessories	<ul style="list-style-type: none"> -Wireless Remote Unite (Two "AA" type Batteries) -Owners Manual (CD-Rom & Quick Reference Guide) -Computer Cable (D-sub15 - D-sub15) -AC Cord x 1 (depending on destination) -Lens Attachment x 2 -Lens spacer -Light block sheet x 3 -PIN code Level -Real Color Manager Pro CD-Rom x 1 	



All products manufactured by the Projector Integrated Business Unit of SANYO's DI Company employ a quality management system that has undergone the inspection and registration process of the ISO 9001:2000 international standard.



SANYO's DI Company has received ISO 14001 certification for the environmental management system used in its factory.



Pixelworks ICs are used in this projector

<http://www.sanyo-lcdp.com/english/>

Caution: Please consult the instruction manual to ensure safe and proper operation of the product.

Distributed by:



SANYO Electric Co., Ltd.
DI company

© 2008 SANYO Printed in Japan 2008.2 St.
SML108

Think GAIA
For Life and the Earth



Multimedia Projector

PLC-XF70/ PLV-WF20



Powerful Images for Large Venues and Digital Signage
The Industry's Brightest*1 2-Lamp Projectors
PLC-XF70/ PLV-WF20



*1 The PLC-XF70 only. For 2-lamp projectors as of December 10, 2007

