

Think GAIA
For Life and the Earth

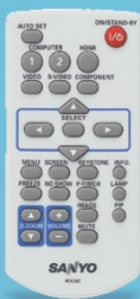
SANYO

Ultra Portable Multimedia Projector

PLC-WXU300



***Wide Screen Image's Give you
More Presentation Power for Education and Business***



WIDE XGA PROJECTOR PLC-WXU300



A Great Match for Wide-Screen PCs

The wide XGA 1280 x 800 (16:10) resolution of the PLC-WXU300 makes it possible to project high quality HD images from virtually any location. The PLC-WXU300 achieves a high 2,500 lumens of brightness thanks to a number of advanced technologies in its optical engine and a 225-watt lamp.



Easy Setup Function

PLC-WXU300 provides "Auto Setup Function" that corrects vertical shape distortion by searching for an input signal and detecting projector incline, reducing setup time. Furthermore, the "Screen Guidance Function" allows projector set up according to the displayed guidance. This function provides all an easy guide to projection.



7 W Speaker

Along with its mobility, the PLC-WXU300 features high-output 7 W speaker that deliver sufficient audio volume for the projector to be used in conference rooms, classrooms, and other spaces with only the built-in speaker.



Picture in Picture (P in P) and Picture by Picture (P by P)

The P in P and P by P functions let users simultaneously show images from two PCs, or from a PC and a video device. P in P lets you show a subscreen within the main screen. So, during a seminar, you could have the lecture content on the main screen while showing views of the room on the sub-screen. P by P shows two same-size images side by side. For example, you could show a product description from a PC screen while simultaneously displaying a commercial message recorded onto a DVD.

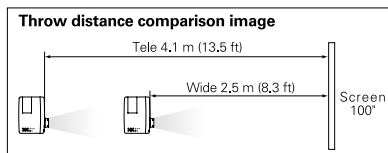


Picture in Picture

* Some video files cannot be played, depending on the combination of input signals.

Wide-Range 1.6x Zoom

The wide-range 1.6x zoom lens lets you project a 100" image from as close as 2.5 meters (8.3 ft) from the screen, to as far away as 4.1 meters (13.5 ft). That makes it a lot easier to find suitable places to set the projector up.



Other Features

- HDMI (Ver.1.3b) terminal
- Wired LAN Control
- Power Off and Go
- PJ Link compatibility
- 17-Language on-screen menu
- User logo (screen capture)
- No show
- Freeze
- Presentation timer



All products manufactured by the Projector Division of SANYO's Digital System Company employ a quality management system that has undergone the inspection and registration process of the ISO 9001 international standard.

<http://www.sanyo-lcdp.com/>

Caution: Please consult the instruction manual to ensure safe and proper operation of the product.

Distributed by:

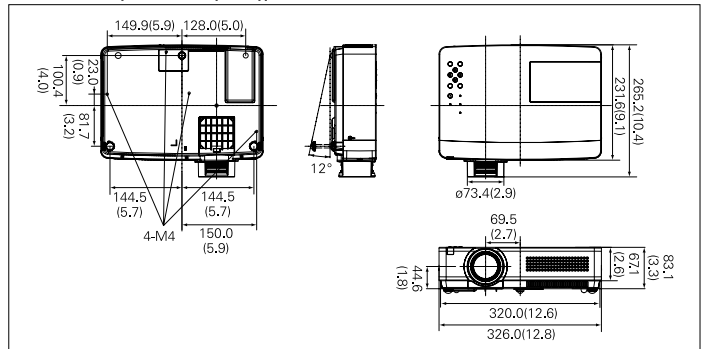
Specifications

Model name	PLC-WXU300
Panel	0.59 inch TFT p-Si x 3 with Micro Lens
No. of pixels	3,072,000 (1280 x 800 dots x 3)
Lamp wattage	225 W
Brightness (typical) *1	2500 lm
Contrast *1	500:1
Uniformity *1	85 % (corner to center)
Projection lens	F1.65 - 2.33, f = 15.47 - 24.53 mm (0.6 - 1.0 inch)
Screen size	30" - 300" 0.7 - 7.7 m (2.4 - 25.3 ft) 100" at 2.5 - 4.1 m (8.3 - 13.5 ft)
Zoom / Focus	1-1.6 Manual driven U:D = 49:1
SD/ HDTV signals	480i, 480p, 575i, 575p, 720p, 1080i, 1080p (HDMI)
Color systems	PAL / SECAM / NTSC / NTSC4.43 / PAL-M / N
Video Signal	S-Video, Composite, Dsub-15pin for Component
Terminals	RCA: Composite Video Mini-DIN 4-pin: S-Video HDMI for Digital signal, Dsub-15 for input/ component, Dsub-15 for Input/ Monitor Out
Computer compatibility	(WXGA / WSXGA) WXGA / XGA / SVGA / VGA / MAC
Audio	RCA (L / R) for Video input Mini-Jack x 2 (Stereo) for Computer input Mini-Jack (Stereo) for output (variable)
Communication Terminal	Dsub-9 for Control Port (RS-232C), RJ-45 for LAN
Presentation Tool	Freeze / Digital Zoom / No Show/ Picture by Picture/ etc
Other Feature	Progressive, 3-2 & 2-2 pull down, LTI & CTI, *2 User Logo
Scanning frequency	H sync 15 - 100 kHz, V sync 50 - 100 Hz Dot clock 140 MHz
Sound output	7.0 W Mono
Fan Noise	29 dBA (Eco mode)
Voltage	100 V-240 V AC (auto voltage)
Power consumption	100-120 V AC 311 W (Normal) / 225 W (Eco) / 0.4 W (Standby Eco) 200-240 V AC 291 W (Normal) / 213 W (Eco) / 0.8 W (Standby Eco)
Dimensions (W x H x D)	326.0 x 83.1 x 231.6 mm (12.8 x 3.3 x 9.1 inch) (not including protruding parts)
Weight	2.8 kg (6.2 lbs)
Included accessories	Quick reference guide, User's manual (CD-ROM), CD-ROM read me note, PIN code label, Computer cable (Dsub15-Dsub15), Remote control, AAA Battery x 2, Lens cap, PJ Network Manager Software (CD-ROM), Strap for Lens Cap, Soft Carrying Bag

* Replacement Lamp Type No: POA-LMP131

*1 Measurement, measuring conditions, and method of notation all comply with ISO 21118 international standards. Product and company names are the trademarks or registered trademarks of their respective companies. *2 Luminance Transient Improvement (LTI) and Color Transient Improvement (CTI) sharpen the detail. * All product names and company names are trademarks or registered trademarks of their respective

Dimensions (unit: mm (inch))



Approximate throw distance/ picture size (unit: m (ft))

Screen Size 16 : 10 aspect ratio	WIDE	TELE
60"	1.5 (4.9)	2.5 (8.2)
70"	1.8 (5.9)	2.9 (9.5)
80"	2.0 (6.6)	3.3 (10.8)
100"	2.5 (8.2)	4.1 (13.5)
150"	3.8 (12.5)	6.2 (20.3)
200"	5.1 (16.7)	-
250"	6.4 (21.0)	-
300"	7.7 (25.2)	-

Approximate throw distances shown above were calculated on lens design specifications. Please note that up to 5% deviation may result due to lens variation.

Terminals



SANYO's Digital System Company has received ISO 14001 certification for the environmental management system used in its factory.



Pixelworks ICs are used in this projector

SANYO

SANYO Electric Co., Ltd.
Digital System Company

© 2009 SANYO Printed in JAPAN 2009.6 SI
SML134