

Think GAIA  
For Life and the Earth

**SANYO**

Ultra Portable Multimedia  
Projector

PLC-XU88



High-Speed Wireless Image Transfer



Brightness of 3,000 lumens



### High-Speed Wireless Image Transfer

Newly developed image / audio processor and new algorithm application achieve high-speed wireless image transfer.

### Bright Images Even In a Well-Lit Room

The PLC-XU88 series uses a 200-watt UHP lamp for outstanding brightness and well-balanced color reproduction. The PLC-XU88 provides 3,000 lumens brightness.

### Wireless/Wired LAN Capability

The PLC-XU88 is ready for wireless and wired LAN connection to give you greater projection versatility.

### Multi Control with Web Management

With Multi-Control, a single computer can setup and control multiple projectors up to 64 units at the same time. With the Web Management feature, projector functions such as power status, lamp status, input mode, signal condition, and lamp-use time can be monitored through the network by using a web browser.

### Moderator Function

This function lets you choose which PC to use for projection when several PCs are connected to a projector. In a classroom, for instance, a teacher or presenter can select which of the students' PC images to project. It also prevents unauthorized or accidental projection.

### IEEE 802.11b/ g Wireless Function

The wireless interface is compatible with IEEE802.11b/g standards, offering transfer speeds up to 54Mbps and providing WEP 64/ 128-bit security.

### Easy Wireless Connection

Connection settings for the projector and PC are made automatically. After the presentation, wireless settings are restored to their previous status. This works for both the Adhoc, where the data is sent directly from the PC to the projector, and the infrastructure mode, where the data is sent through an access point.

- Real-Time Transmission • One-Shot Transmission
- Five-Unit Simultaneous Projection • E-mail Alert • WEP/ WPA/ WPA2

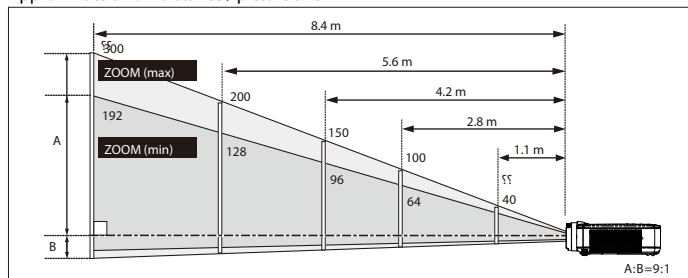
### 1.57x Optical and 16x Digital Zoom

In addition to its 1.57x optical zoom, the PLC-XU88 features a 1/2x to 16x digital zoom that lets you easily enlarge or reduce the screen display size as desired.

### Other Features

- SD card viewer • PJ Link compatibility • 16-Language on-screen menu
- Custom startup logo • User logo (screen capture) • No show
- Freeze • Presentation timer

### Approximate throw distance / picture size



Screen Size (W x H) mm	40"	100"	150"	200"	300"
4:3 aspect ratio	813 x 610	2032 x 1524	3048 x 2286	4064 x 3048	6095 x 4572
Zoom (min)	1.1 m	2.8 m	4.2 m	5.6 m	8.4 m
Zoom (max)	1.7 m	4.4 m	6.6 m	8.8 m	13.1 m

<http://www.sanyo-lcdp.com/english/>

**Caution: Please consult the instruction manual to ensure safe and proper operation of the product.**

Distributed by:

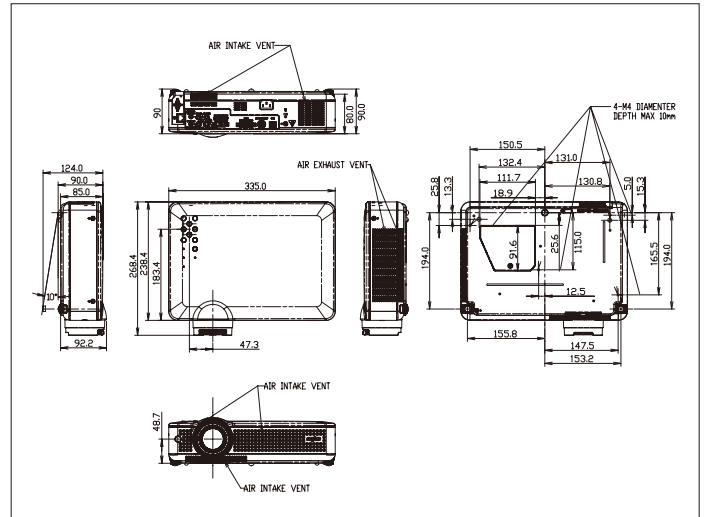
### Specifications

Model name	PLC-XU88
Panel	0.63 inch TFT p-Si x 3 with Micro Lens
Number of pixels	2,359,296 (1024 x 768 dots)
Projection lamp	220W UHP 1.0 mm (154 W ~ 220 W)
Brightness (typical)	3000 lm
Contrast	500:1 (Lamp mode "AUTO" & "Dynamic mode")
Uniformity	85 % (corner to center)
Projection lens	F1.6 - 2.5, f=17.7 ~ 28.3 mm
Screen size	40" ~ 300" 1.1(wide) ~ 13.1(tele) m, 100" at 2.8 ~ 4.4 m
Zoom / Focus	1:1.57 Manual driven U:D=9:1
SD&HDTV signals	480i, 480p, 575i, 575p, 720p, 1035i and 1080i
Color systems	PAL/ SECAM/ NTSC/ NTSC4.43/ PAL-M/N
Video Signal	Composite, S-Video, D-sub 15pin for Component
Video Terminal	RCA : Composite Video Mini-DIN 4-pin : S-Video
Computer compatibility	UXGA/ WXGA/ SXGA/ XGA/ SVGA/ VGA/ MAC ... Analog
Computer Terminal	DVI-I for Input, D-sub15 pin for Input & Monitor Out
Audio	RCA (L / R) for Video Input Mini-Jack (Stereo) for Computer Input Mini-Jack (Stereo) for output (variable)
Communication Terminal	Service Port (RS-232C), USB type B
Presentation Tool	Freeze/ Digital Zoom/ No Show / Page Up-Down / etc
Other Feature	Progressive, 3-2 & 2-2 pull down, LTI & CTI, User Logo Security : PIN code lock, Key lock, Audio Alarm
Scanning frequency	H/V sync ~100kHz, ~100Hz Dot clock 140 MHz
Sound output	1.0 W Mono
Voltage	100V -240V AC (auto voltage)
Dimensions (W x H x D)	335.0 x 80.0 x 238.4 mm (not including protrusion)
Weight	3.3 kg

\*Specifications as of June 13,2007, subject to change.

\*All product names and company names are trademarks or registered trademarks of their respective companies

### External dimensions (unit: mm)



All products manufactured by the Projector Integrated Business Unit of SANYO's DI Company employ a quality management system that has undergone the inspection and registration process of the ISO 9001:2000 international standard.



SANYO's DI Company has received ISO 14001 certification for the environmental management system used in its factory.



Pixelworks ICs are used in this projector



SANYO Electric Co., Ltd.  
DI company