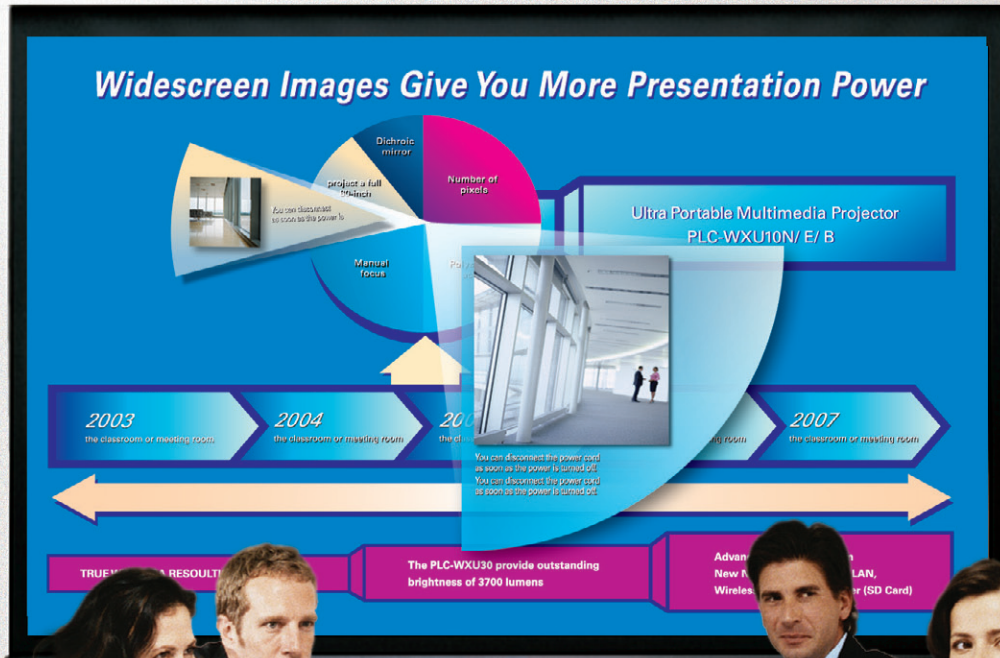


WXGA Ultra Portable Multimedia  
Projector

PLC-WXU10N/ E/ B



Widescreen Images Give You  
More Presentation Power



Brightness of 2,000 lumens



## True Wide XGA Resolution (1280 x 800)

Compatible with wide screen laptops for a true wide screen WXGA (16:10) presentation

## Ultra-Compact, Fully Portable Design

Not much larger than a laptop PC, the PLC-WXU10 weighs less than 3.2 kg and delivers high picture quality in a versatile, go-anywhere system.

## Versatile Inputs

The PLC-WXU10 offers excellent flexibility via DVI-D and D-Sub 15 inputs. It even has component video inputs. Also there is a D-Sub 15 terminal for monitor output for greater programming flexibility.

## Digital Keystone Correction

To compensate for keystone (trapezoidal) picture distortion, the PLC-WXU10 provides vertical keystone correction with a correction range up to 16 degrees.

Note: On-screen image size after correction is smaller than that of original. Correction range varies depending on operation settings such as lens shift ratio, lens zoom magnification and so on.



## Installation Features

May be ceiling or inverse mounted for enhanced usage / installation versatility.

## F1.75-1.9 Zoom Lens with 1.2X Optical Zoom

Which produces a crisp, bright 2,000 ANSI Lumens and the optical zoom helps highlight important program segments.

## Auto Input Search

Searches, finds and displays incoming source signal automatically.

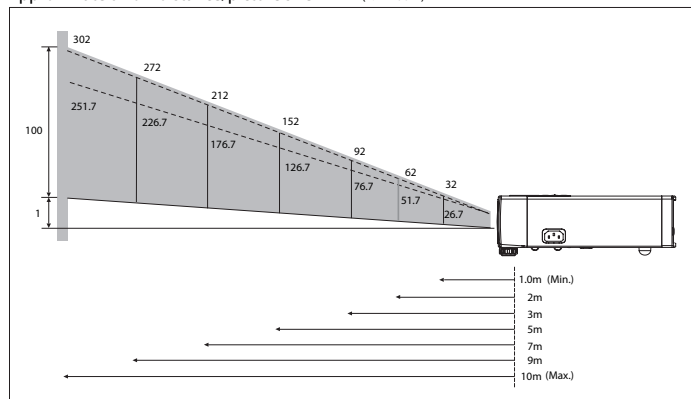
## Progressive Scan with 3-2/2-2 Pull Down

A progressive scan circuit ensures superb, high-resolution video images. The Luminance Transient Improvement (LTI) and Color Transient Improvement (CTI) sharpens the detail. The result is clearer, sharper images from both RGB and video sources.

## Soft Carrying Bag

Zip and go bag great for carrying and storing the projector.

Approximate throw distance/picture size (1.2x zoom)



Projection distance (meter)	1.0	2.0	3.0	5.0	7.0	9.0	10.0
16:10 Screen	302	272	212	152	92	62	32
Size-Diagonal (inch)	251.7	226.7	176.7	126.7	76.7	51.7	26.7
Wide	32.0	62.0	92.0	152.0	212.0	272.0	302.0
Tele	26.7	51.7	76.7	126.7	176.7	226.7	251.7

Approximate throw distances shown above were calculated based on lens design specifications. Please note that up to 5% deviation may occur due to lens variation.

<http://www.sanyo-lcdp.com/english/>

**Caution: Please consult the instruction manual to ensure safe and proper operation of the product.**

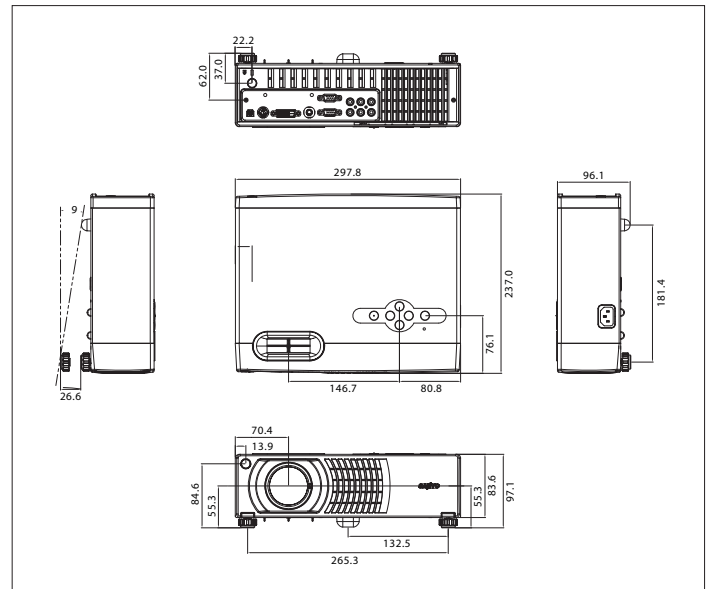
Distributed by:

## Specifications

Model name	PLC-WXU10N/ E/ B
Resolution	WXGA (1280 x 800)
Brightness	2000 Lumens
Uniformity	80 %
LCD Panel System	0.56" TFT Poly x 3
Number of Pixels	3,072,000 (1280 x 800 x 3)
Image Size (diagonal)	40" - 300"
Aspect Ratio	16:10
Throw Distance	1.4~12.6 m
Zoom/Focus	Manual
Zoom Ratio	1:1.2
Up/Down Ratio	100:1
Digital Keystone Correction	Vertical: +/- 16°
Projection System	Polarized Beam Splitter optical system
Projection Lens	F1.75-1.9/ f18.85~22.23 mm
Projection Lamp	210 W
Scanning Frequency	H Sync: 15-80 kHz, V Sync: 50-85 Hz
Dot Clock	110 MHz
Color System	PAL/ PAL-M/ PAL-N/ SECAM/ NTSC/ NTSC4.43
Computer Compatibility	SXGA, WXGA, XGA, SVGA, VGA
Sound Output	2.0-watt Mono
Voltage	100~240 V AC, 50/ 60 Hz
Power Consumption	280 W / Eco 240 W
Dimensions (W x H x D)	297.8 x 83.6 x 237.0 mm (not including protrusion)
Net Weight	3.2 kg
User Maintenance	Clean air filters, replace lamp assembly
PC Input Terminals	-D-Sub15 x 1 (Analog RGB) -DVI-D x 1 (Digital RGB)
Video Input Terminals	-Component Video (RCA x 3) -Composite Video (RCA x 1) -S-Video (Mini-DIN 4-pin) -R & L audio (RCA x 2)
Output Terminals	-D-Sub15 x 1 (Analog RGB)
Included Accessories	-Remote Control -2 AAA Batteries -Owner's Manual -VGA Cable -Lens Cap with Strap -AC Power Supply Cord -Soft Carrying bag
Optional Accessories	-POA-CA-COMPVGA- VGA/ Component Video Cable -POA-MCSRL02- RS232C Cable -110 336 0362- Replacement Lamp
Service Port	Mini DIN 6-pin

Because its products are subject to continuous improvement, SANYO reserves the right to modify product design and specifications without notice and without incurring any obligations.

## External dimensions (unit : mm)



All products manufactured by the Projector Integrated Business Unit of SANYO's DI Company employ a quality management system that has undergone the inspection and registration process of the ISO 9001:2000 international standard.



SANYO's DI Company has received ISO 14001 certification for the environmental management system used in its factory.



Pixelworks ICs are used in this projector



SANYO Electric Co., Ltd.  
DI company