

MULTIMEDIA DATA/VIDEO PROJECTORS

Clear, Concise Presentations...
Vivid wide-screen power
gets the point across

HDMI™
HIGH DEFINITION MULTIMEDIA INTERFACE

NEW Mobile WXGA Projector

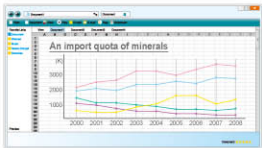
**WIDE
WXGA**

EW270U



POINT 1 Wide-screen Compatible

The EW270 is a WXGA projector with 1280 x 800 pixel resolution specially tuned to screen aspect ratios that support the shift towards wide-screen computer monitors. It reproduces a display area 1.3 times that of conventional XGA projectors, ensuring full compatibility with wider screens and eliminating the need for left-right screen adjustment. Depending on the software installed, dual-screen projection, such as simultaneously viewing the menu and previews, is possible. DVD images can also be reproduced directly without requiring signal compression, thus providing sharper, clearer images.



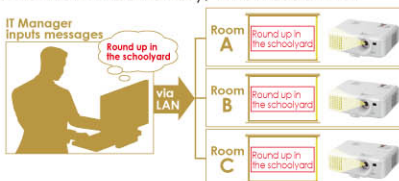
Display different windows side by side, banishing the idea of left-right scrolling.



Wide-screen broadcasts in all their natural glory.

POINT 2 Network Connectivity

The EW270U is equipped with a built-in LAN(RJ-45) terminal for remote operation when connected to a network. Additionally, when used with Crestron® software, integrated control of up to 250 projectors including power on/off control, message display on multiple projectors and confirmation of lamp service hours is possible using RoomView™/e-Control™ applications.



POINT 3 3D READY – Enjoy the future today

Experience the impact and allure of 3D images. The 3D video content must be in field sequential format and special electronic shutter glasses are required.

人も地球も、気持ちよく。



More Features

- A light 2.4kg, 2600lm brightness
- Silent 29dBA Operation (Low Mode)
- Wall Screen

Projects natural color images not only onto white or black boards, but light-yellow, blue, light-green or pink walls as well — turning nearly any wall into a projection surface.

● Direct Power Off

The EW270U features a direct power off function that immediately cuts all power, eliminating previously the annoying power-down time required before unplugging the projector. When the presentation is over, simply turn off the power, disconnect the projector, and you're ready to go. A must-have feature for people that require mobility and have busy schedules.

● Top-loading lamp*1

The projection lamp is installed in the upper section of the main body. Whether sitting on a shelf or suspended from the ceiling, lamp replacement is simple and easy*1, and there's never a need to move the whole projector.

*1: A lamp replacement attachment is included to prevent the lamp from being dropped during replacement.



● Long 4,000hr*2 Lamp Life

*2: When used in low lamp mode. Maximum lamp life in standard mode use is 3,000 hours. It's an estimated life time and the lamp is to be shut off upon the arrival. Lamp life refers to the average time required for brightness to be reduced by half, and not the time specified in the warranty. Lamp service life may vary widely depending on the environment and conditions, and whether or not cleaning and other maintenance procedures are followed.

● Stand-by Mode under 1W*3

*3: When LAN control is set to RS-232C, and "Stand-by Audio Out" and "Stand-by Monitor Out" are set to "Off."

● BrilliantColor™*4 (6 segment color wheel) Adopted

Mitsubishi Electric's original built-in color wheel is incorporated for enhanced color reproduction. Clear, vivid images are reproduced from computer and video-player signals.

*4: BrilliantColor is a trademark of Texas Instruments.

● 18 Languages OSD

● Closed Caption (CC) Capable

A closed caption decoder comes installed as standard equipment. Words spoken are processed into subtitles that are projected onto the screen. This feature conveniently addresses the needs of language students and hearing-impaired viewers.

● Dual RGB Input Terminal

NEW

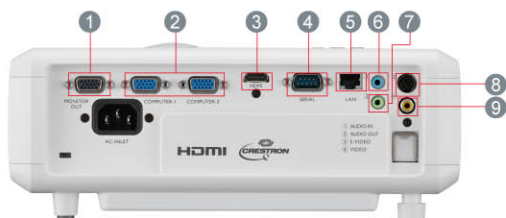


EW270U

Mobile WXGA Projector

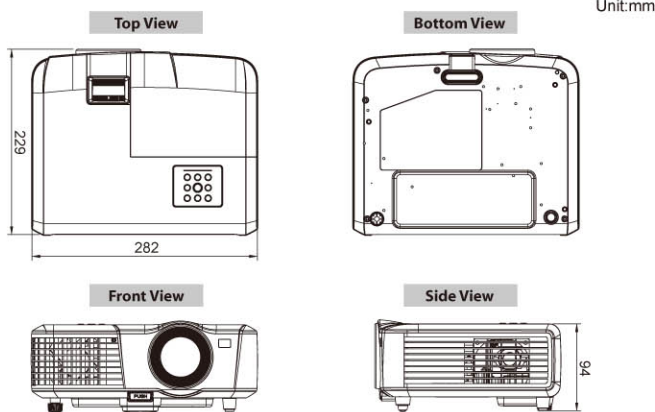
Brilliant Color™	Wall Screen	Password Lock	Direct Power Off	Long-life Lamp	Low Standby Power	Picture Performance
Top Loading Lamp	Closed Caption	Low Fan Noise	LAN (RJ-45)	HDMI		User Friendly

Input and Output Terminals



- 1 Monitor output
- 2 PC/Component video input
- 3 HDMI
- 4 Serial RS-232C
- 5 LAN (RJ-45)
- 6 Audio output
- 7 Audio input
- 8 S-Video
- 9 Video

Dimensions

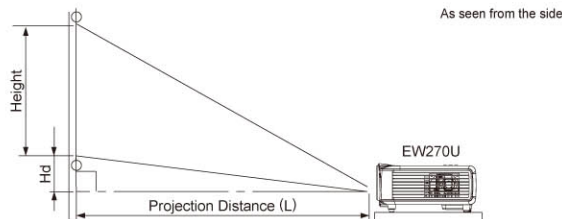


Specifications

Model	EW270U
Display Technology	0.65" 1-Chip DMD
Resolution	1280 x 800 (Total 1,024,000 pixels)
Brightness	2600lm
Contrast Ratio	2000 : 1
Picture Size**	40" - 300"
Throw Ratio**	1.5 - 1.6
Source Lamp	160W (4000hr*) with Low Mode, 185W (3000hr*) with Standard Mode
PC Compatibility	640 x 480 - 1600 x 1200, True : 1280 x 800, Sync on Green available
Video Compatibility	NTSC / NTSC 4.43 / PAL (including PAL-M, N) / SECAM / PAL-60 Component Video : 480i/p (525i/p), 576i/p (625i/p), 720p (750p), 1080i/p (1125i/p 60Hz), 1080i/p (1125i/p 50Hz)
Input Terminals	RGB : mini D-sub 15pin x 2 Video : RCA x 1 + S-VIDEO x 1 Digital : HDMI x 1 (Ver1.2) Audio : Stereo mini jack (ø3.5mm) x 1
Output Terminals	RGB : mini D-sub 15pin x 1 Audio : Stereo mini jack (ø3.5mm) x 1
Communication Terminal	RS-232C; D-Sub 9pin x 1 LAN ; RJ-45 x 1
Speaker Output	2W Mono
Dimensions (W x H x D)	282 x 94 x 229 mm / 11.1 x 3.7 x 9.0 inch (Not including protrusion)
Weight	2.4kg / 5.3lbs
Power Requirements	AC 100-240V, 50/60Hz
Optional Lamp	VLT-EX240LP

* Compliance with ISO21118-2005
 ** All brand names and product names are trademarks, registered trademarks or trade names of their respective holders.
 *1: Value may vary a few percent from that listed in the chart.
 *2: It's an estimated life time and the lamp is to be shut off upon the arrival. And it's not the time specified in the warranty.

Screen size and Projection distance



Screen size chart (16:10 aspect ratio)

Screen		Distance from screen (L)				Height projected image (Hd)	
Diagonal Size	Width (W)	Height (H)	Shortest (Wide)	Longest (Tele)	inch	cm	
inch	cm	inch	cm	inch	m	inch	cm
40	102	34	86	21	54	1.3	56
60	152	51	129	32	81	1.9	84
80	203	68	172	42	108	2.6	112
100	254	85	215	53	135	3.2	140
150	381	127	323	79	202	4.8	210
200	508	170	431	106	269	6.5	279
250	635	212	538	132	337	8.1	349
270	686	229	582	143	363	8.7	377
300	762	254	646	159	404	9.7	—

The above numbers are approximate, and may be slightly different from the actual measurements.

Screen size chart (16:9 aspect ratio)

Screen		Distance from screen (L)				Height projected image (Hd)	
Diagonal Size	Width (W)	Height (H)	Shortest (Wide)	Longest (Tele)	inch	cm	
inch	cm	inch	cm	inch	m	inch	cm
40	102	35	89	20	50	1.3	58
60	152	52	133	29	75	2.0	86
80	203	70	177	39	100	2.7	115
100	254	87	221	49	125	3.3	144
150	381	131	332	74	187	5.0	216
200	508	174	443	98	249	6.6	288
250	635	218	553	123	311	8.3	360
270	686	235	598	132	336	9.0	388
300	762	261	664	147	374	10.0	—

The above numbers are approximate, and may be slightly different from the actual measurements.



R & B COMPUTER SYSTEMS LTD.

力衡電腦系統有限公司

2749 3325

www.rnb.com.hk
rnb@rnb.com.hk

Unit B, 18/F, Billion Plaza 2, 10 Cheung Yue Street, Lai Chi Kok, Kln, H.K.
九龍荔枝角長裕街 10 號億京廣場 2 期 18 樓 B 室 Fax: 23973768