

**MULTIMEDIA DATA/VIDEO PROJECTORS**

*Short Throw Projector for flexible installation and efficient use of room space*

**NEW** Mobile XGA Projector

# EX320U-ST



*For Education*

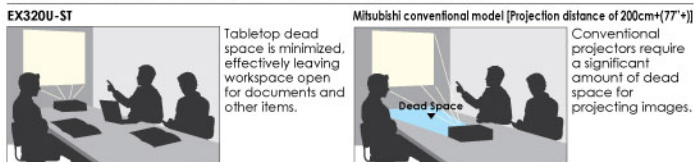


## 3 Major Functions

### 1 Short Throw Projection

Using a projector in small meetings rooms used to be difficult due to insufficient projection distance. Not any more! The EX320U-ST requires a mere 74cm for a projection of a clear, easy-to-read screen image approximately the size of a 60-inch whiteboard. It can be set on the edge of a tabletop, eliminating the loss of workspace commonly caused by the need to clear a path for the projection light.

**Projected Image comparison (with 60-inch screen)**



### 2 Advanced Network Management



### 3 3D READY



## More Functions

- 2700lm brightness
- Silent 28dB Operation (Low Mode)
- Wall Screen
- Direct Power Off
- Top-loading lamp\*1



Top-loading lamp

\*1: A lamp replacement attachment is included to prevent the lamp from being dropped during replacement.

### ● Long 5,000hr\*2 Lamp Life

\*2: When used in Low Mode. Maximum lamp life in standard mode use is 3,500 hours. It's an estimated life time and the lamp is to be shut off upon the arrival. Lamp life refers to the average time required for brightness to be reduced by half, and not the time specified in the warranty. Lamp service life may vary widely depending on the environment and conditions, and whether or not cleaning and other maintenance procedures are followed.

### ● Stand-by Mode under 1W\*3

\*3: When LAN control is set to RS-232C, and "Stand-by Audio Out" and "Stand-by Monitor Out" are set to "Off."

### ● BrilliantColor™\*4 (6-segment color wheel) Adopted

\*4: BrilliantColor is a trademark of Texas Instruments.

- 18-language On-screen Display Capable
- Closed Caption (CC) Capable
- Dual RGB Input Terminal
- Audio Pass Through

人も地球も、気持ちよく。



**NEW**

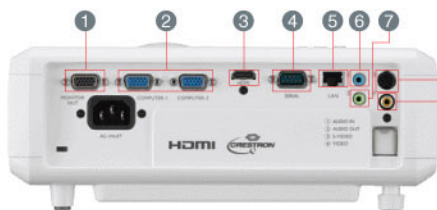


# EX320U-ST

Mobile XGA Projector

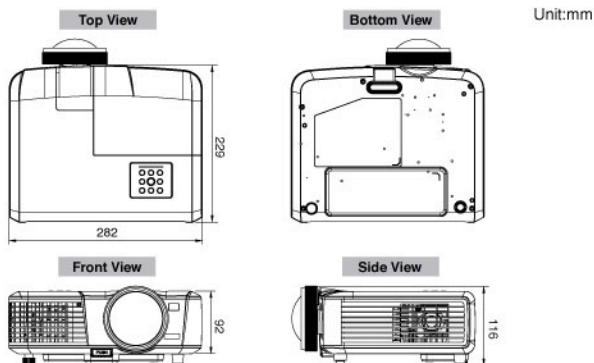
Short Throw Projection	Brilliant Color™	Wall Screen	Password Lock	Direct Power Off	Long-life Lamp	Picture Performance
Low Standby Power	Top Loading Lamp	Closed Caption	Low Fan Noise	LAN (RJ-45)	HDMI	User Friendly

## Input and Output Terminals



- |                            |                  |                |
|----------------------------|------------------|----------------|
| 1 Monitor output           | 4 Serial RS-232C | 7 Audio output |
| 2 PC/Component video input | 5 LAN (RJ-45)    | 8 S-Video      |
| 3 HDMI                     | 6 Audio input    | 9 Video        |

## Dimensions



for a greener tomorrow

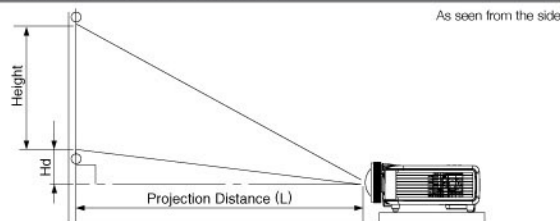
Eco Changes is the Mitsubishi Electric Group's environmental statement, and expresses the Group's stance on environmental management. Through a wide range of businesses, we are helping contribute to the realization of a sustainable society.

## Specifications

Model	EX320U-ST
Display Technology	0.55" 1-Chip DMD
Resolution	1024 x 768 (Total 786,432 pixels)
Brightness	2700lm
Contrast Ratio	2000 : 1
Picture Size**	40" - 300"
Throw Ratio**	0.608
Source Lamp	170W (5000hr*2) with Low Mode, 230W (3500hr*2) with Standard Mode
PC Compatibility	640 x 480 - 1600 x 1200, True : 1024 x 768, Sync on Green available
Video Compatibility	NTSC / NTSC 4.43 / PAL (including PAL-M, N) / SECAM / PAL-60 Component Video : 480i/p (525i/p), 576i/p (625i/p), 720p (750p), 1080i/p (1125i/p 60Hz), 1080i/p (1125i/p 50Hz)
Input Terminals	RGB ; mini D-sub 15pin x 2 Video ; RCA x 1 + S-VIDEO x 1 Digital ; HDMI*3 x 1 Audio ; Stereo mini jack (ø3.5mm) x 1
Output Terminals	RGB ; mini D-sub 15pin x 1 Audio ; Stereo mini jack (ø3.5mm) x 1
Communication Terminal	Serial; D-Sub 9pin x 1 (RS-232C) LAN ; RJ-45 x 1
Speaker Output	2W Mono
Dimensions (W x H x D)	282 x 92 x 229 mm / 11.1 x 3.6 x 9.0 inch (Not including protrusion)
Weight	2.9kg / 6.4lbs
Power Requirements	AC 100-240V, 50/60Hz
Optional Lamp	VLT-EX320LP

- \* Compliant with ISO21118-2005
- \*\* All brand names and product names are trademarks, registered trademarks or trade names of their respective holders.
- \*\*1: Actual values may vary slightly from those listed here.
- \*\*2: Lamp service life varies depending on usage environment and maintenance.
- \*\*3: HDMI, the HDMI Logo, and High-Definition Multimedia Interface are trademarks or registered trademarks of HDMI Licensing LLC in the United States and other countries.

## Screen size and Projection distance



Screen size chart (4:3 aspect ratio)

Diagonal Size	Screen						Distance from screen (L)		Height projected image (Hd)	
	Width (W)		Height (H)							
inch	cm	inch	cm	inch	cm	inch	m	inch	cm	
40	102	32	81	24	61	19	0.5	4	9	
60	152	48	122	36	91	29	0.7	5	14	
80	203	64	163	48	122	39	1.0	7	18	
100	254	80	203	60	152	49	1.2	9	23	
120	305	96	244	72	183	58	1.5	11	27	
150	381	120	305	90	229	73	1.9	14	34	
200	508	160	406	120	305	97	2.5	18	46	
250	635	200	508	150	381	122	3.1	23	57	
300	762	240	610	180	457	146	3.7	27	69	

The above numbers are approximate, and may be slightly different from the actual measurements.

Screen size chart (16:9 aspect ratio)

Diagonal Size	Screen						Distance from screen (L)		Height projected image (Hd)	
	Width (W)		Height (H)							
inch	cm	inch	cm	inch	cm	inch	m	inch	cm	
40	102	35	89	20	50	21	0.5	7	18	
60	152	52	133	29	75	31	0.8	11	27	
80	203	70	177	39	100	42	1.1	14	36	
100	254	87	221	49	125	52	1.3	18	45	
120	305	105	266	59	149	63	1.6	21	55	
150	381	131	332	74	187	78	2.0	27	68	
200	508	174	443	98	249	105	2.7	36	91	
250	635	218	553	123	311	131	3.3	45	114	
300	762	261	664	147	374	157	4.0	54	136	

The above numbers are approximate, and may be slightly different from the actual measurements.



R & B COMPUTER SYSTEMS LTD.

力衡電腦系統有限公司

2749 3325

www.rnb.com.hk  
rnb@rnb.com.hk

Unit B, 18/F, Billion Plaza 2, 10 Cheung Yue Street, Lai Chi Kok, Kln., H.K.  
九龍荔枝角長裕街 10 號億京廣場 2 期 18 樓 B 室 Fax: 23973768